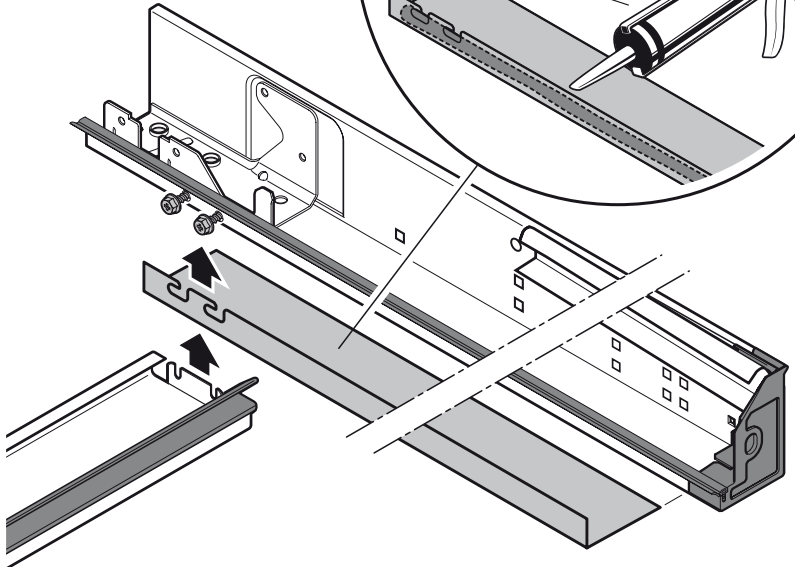
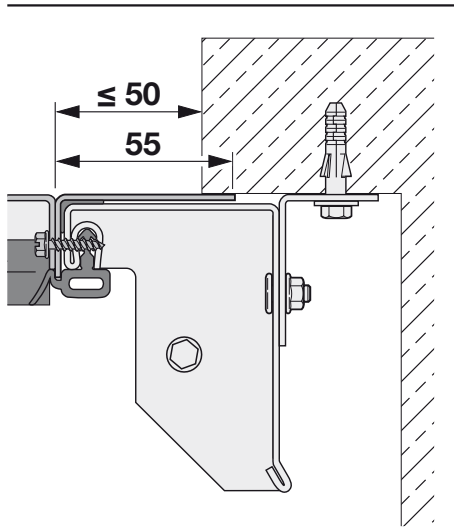
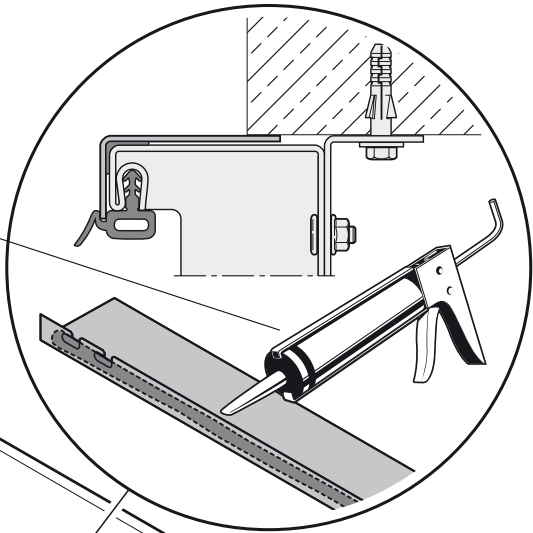
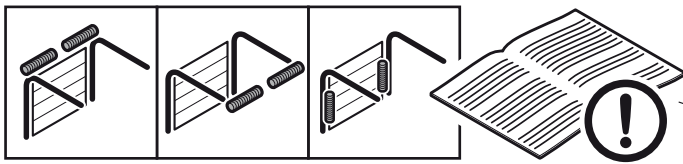


→ 2



➔ 2

